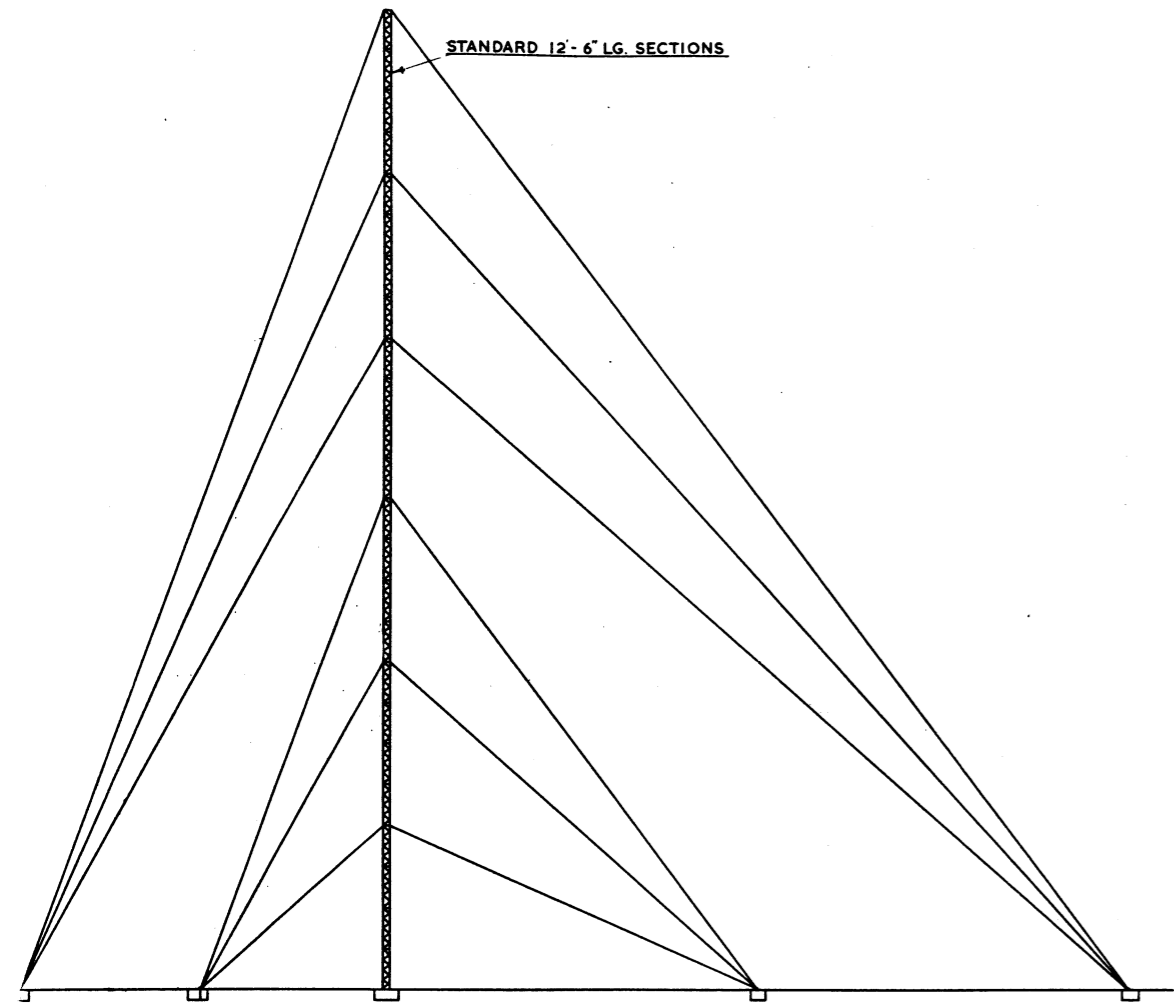
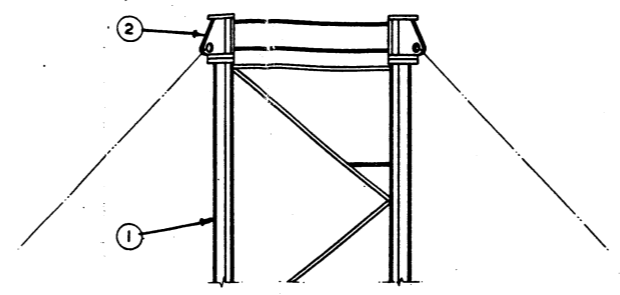


SCHEDULE OF MATERIAL.

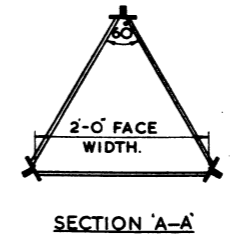
ITEM NUMBER	DESCRIPTION	DRAWING NUMBER	QUANTITIES					
			MAST HEIGHT IN FEET					
			175	200	225	250	275	300
1	MAST SECTION	3/2	14	16	18	20	22	24
2	STAY FRAME	3/3	4	4	5	5	6	6
3	BASE UNIT	3/4	1	1	1	1	1	1
4	BASE PLATE	2/5	1	1	1	1	1	1
5	FOUNDATION BOLT	1/6	4	4	4	4	4	4
6	STAY ROPE	1/7	12	12	15	15	18	18
7	TOP STAY LINK	1/22	12	12	15	15	18	18
8	BOTTOM STAY LINK	2/9	12	12	15	15	18	18
9	RIGGING SCREW	2/11	12	12	15	15	18	18
10	BULLDOG GRIP	1/10	48	48	60	60	72	72
11	ANCHOR PLATE	2/8	6	6	6	6	6	6
12	STIRRUP	-	21	21	21	21	21	21
13	MESH SHEET	-	14	14	14	14	14	14



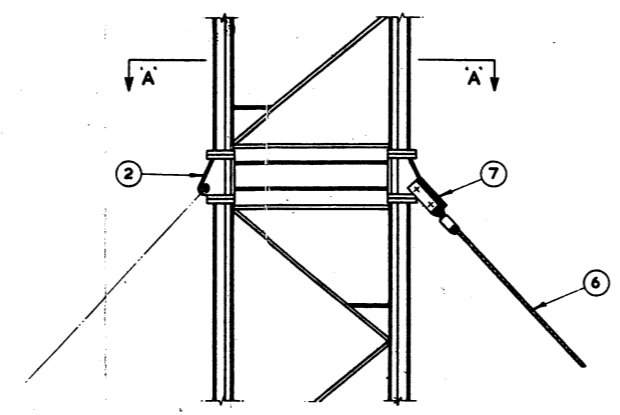
ELEVATION ON MAST



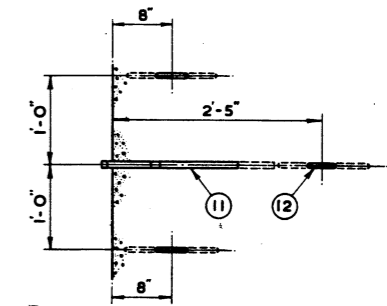
ELEVATION AT HEAD



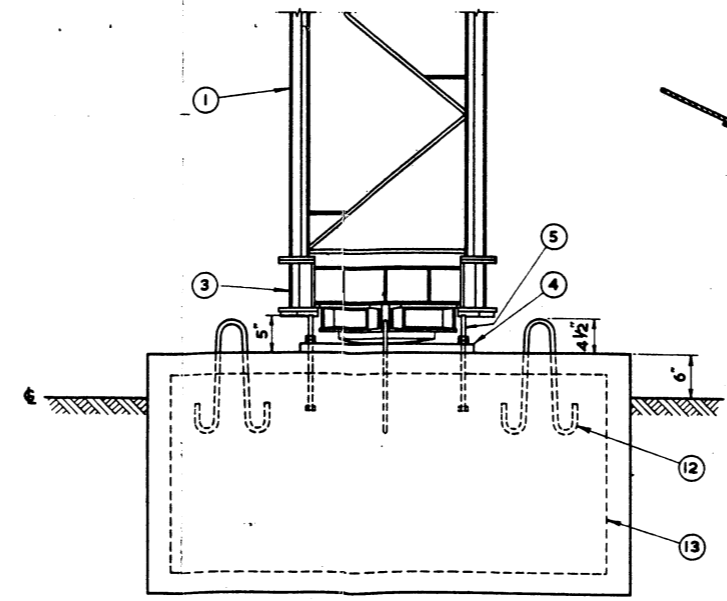
SECTION A-A



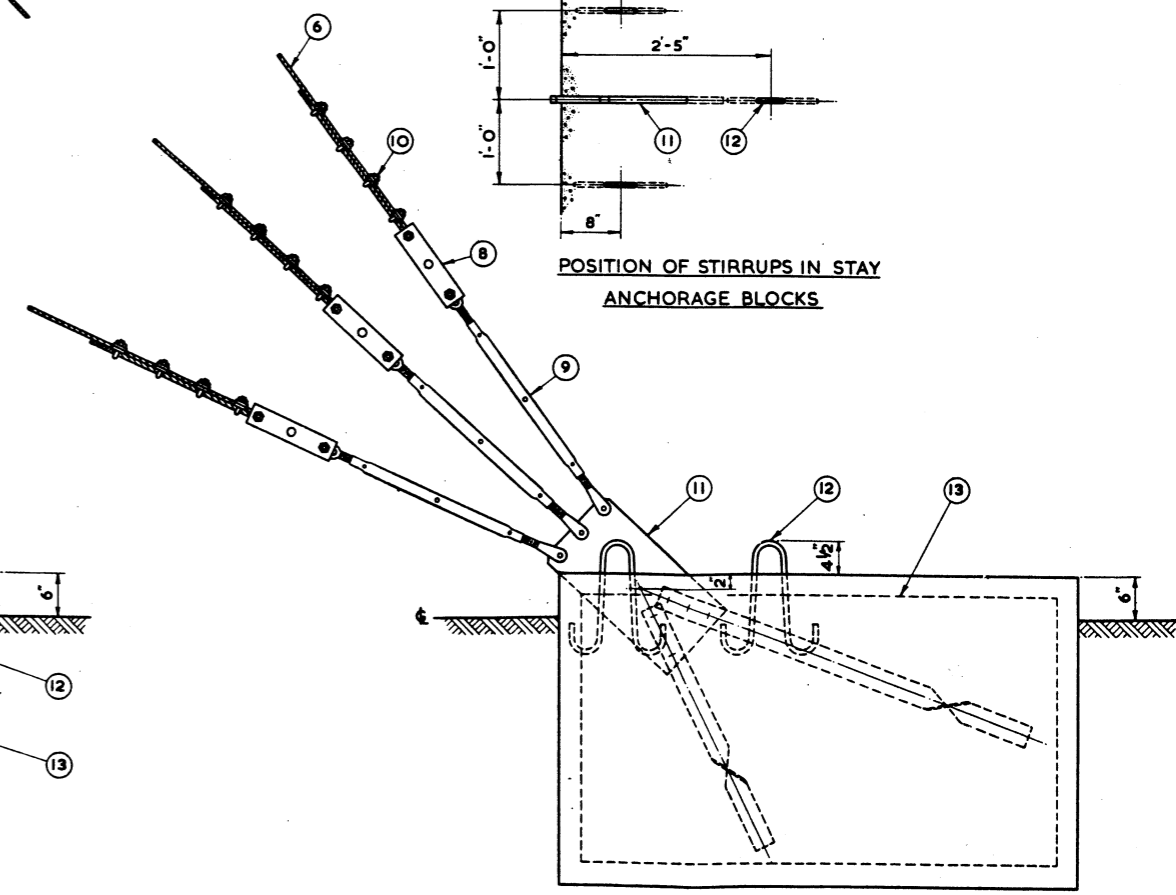
ELEVATION AT INTERMEDIATE STAY ATTACHMENT LEVEL



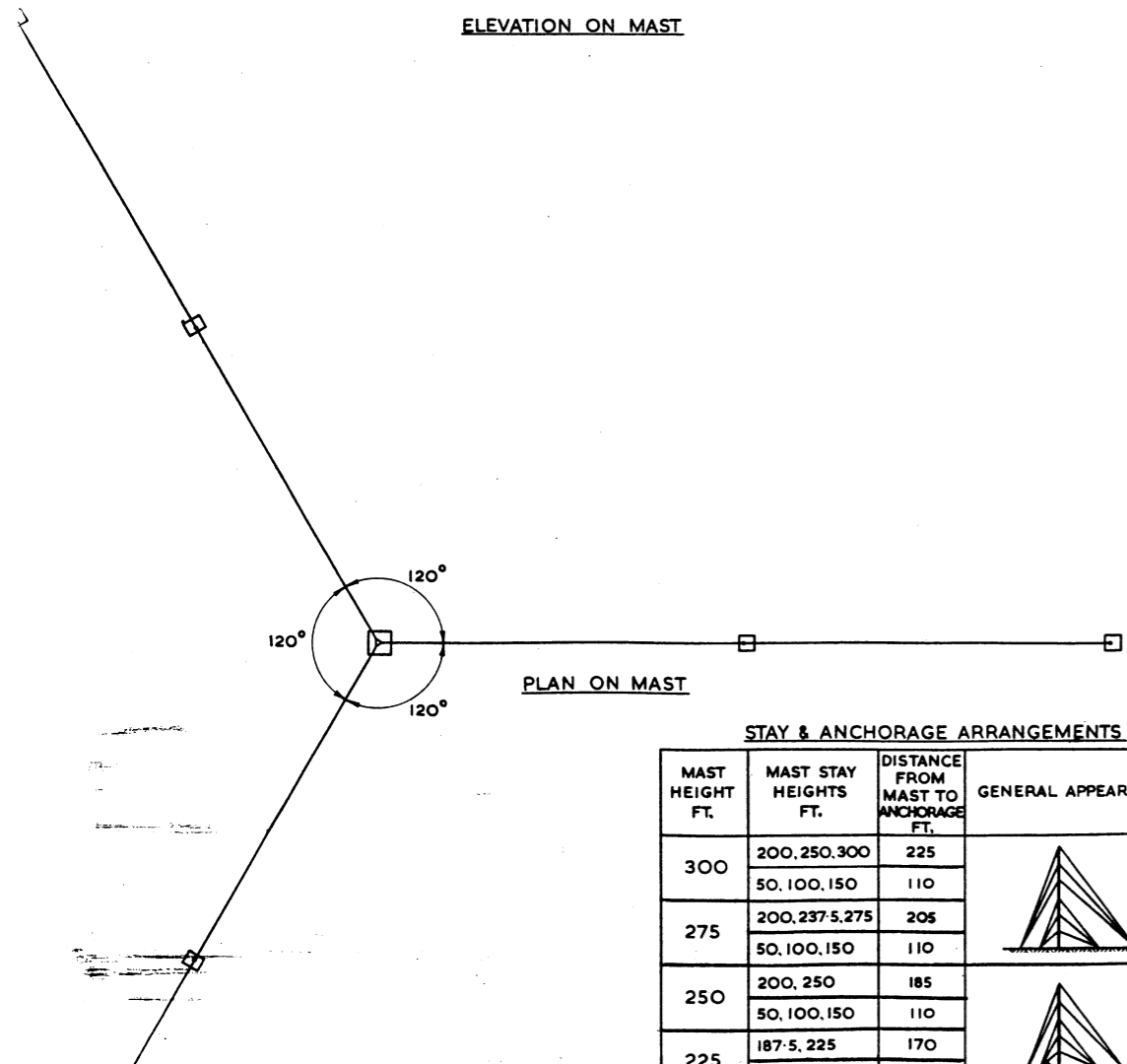
POSITION OF STIRRUPS IN STAY ANCHORAGE BLOCKS



ELEVATION AT BASE



ELEVATION AT STAY ANCHORAGE



PLAN ON MAST

STAY & ANCHORAGE ARRANGEMENTS			
MAST HEIGHT FT.	MAST STAY HEIGHTS FT.	DISTANCE FROM MAST TO ANCHORAGE FT.	GENERAL APPEARANCE
300	200, 250, 300	225	
	50, 100, 150	110	
275	200, 237.5, 275	205	
	50, 100, 150	110	
250	200, 250	185	
	50, 100, 150	110	
225	187.5, 225	170	

CONCRETE 1:2:4 MIX